

Series BFPMCT LED Back Lit Flat Panel 3500K 4000K 5000K 5 year limited warranty



LIGHT SOURCE: EDGE-LIT LEDS

WATTAGE: 20W, 30W, 40W, 50W

COLOR TEMPERATURE: 3500, 4000, 5000K

COLOR RENDERING INDEX CRI: >80

WARRANTY: 5 Year Limited Warranty

PRODUCT FEATURES

- Same size and appearance of legacy edge-lit LED panels but with LED back lighting instead – greater efficiency, longer life diffuser, elimination of edge-lit construction issues
- Suitable for general illumination in residential, institutional and commercial interiors
- Evenly illuminate the entire surface of panel with soft, uniform light
- Provides 110 degree beam angle
- Sturdy frame prevents warping
- 2x2 and 1x4 offered in 20W, 30W and 40W
- Multiple Kelvin temperature options (3500K, 4000K, 5000K)
- Suitable for dry or damp locations
- >50,000 hrs of L70 LED life
- External emergency battery backup
- Dimming 0-10V, dim to 10%
- 120-277V
- Power factor >0-90

See www.savegreenlighting.com/products for more features.



Look for this logo to denote that your fixture has an industry leading LED light source backed by a fifty year old company with hallmarks on reliability, consistency and performance. If you see this mark, rest assured your lights will operate to specifications every time or we will be there to make it right.

Savegreen's BFPMCT Series back lit flat panels provide the same size and look of edge-lit LED panels but also offer both improved efficiency, a longer life diffuser and elimination of quality issues that are common with edge-lit construction. Savegreen's BFPMCT Series provides high uniformity, excellent efficiency and reduced glare for T-grid ceilings.

Available in three different wattages per size: 1x4 offered in 20 Watt, 30 Watt, and 40 Watt; 2x2 offered in 20 Watt, 30 Watt, and 40 Watt; 2x4 offered in 30 Watt, 40 Watt and 50 Watt. 3500K, 4000K, and 5000K options.

White polyester powder-coated durable aluminum housing.

APPLICATION

Flat panels have been rapidly adopted as the new standard for recessed LED lighting applications in offices, schools, hospitals, and any large hallways/corridors or spaces with T-Grid ceilings.

WARRANTY

5 Year Limited Warranty (no labor). For more information on warranty, see www.savegreen.com/warranty.

MOUNTING Recessed mounted. Consult factory for surface and pendant mounting.



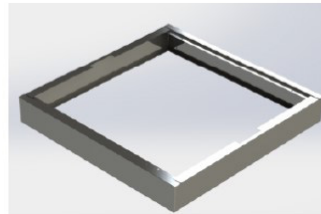
SERIES	SIZE		WATTAGE & LUMENS		DRIVER		COLOR	
BFP	22L	23.80"L x 23.80"W x 1.77"H	30M3300L	Defaulted 30Watts / 3300 Lumens 20 Watts / 2200 Lumens, 30 Watts / 3300 Lumens, 40 Watts / 4400 Lumens options on a 3-position switch.	DMV	0-10V Dimming	MCT	Multiple Color Temperature 3500K, 4000K, 5000K on a 3-position switch
	14L	47.80"L x 11.80"W x 1.77"H	30M3300L	Defaulted 30Watts / 3300 Lumens 20 Watts / 2200 Lumens, 30 Watts / 3300 Lumens, 40 Watts / 4400 Lumens options on a 3-position switch.				
	24L	47.80"L x 23.80"W x 1.77"H	40M4400L	Defaulted 40Watts / 4400 Lumens 30 Watts / 3300 Lumens, 40 Watts / 4400 Lumens, 50 Watts / 5500 Lumens options on a 3-position switch.				

OPTIONS (Sold Separately)

EM 10W 90mins Emergency battery backup	BFPHC14 Hanging Kit for BFP1x4 Backlit Panel
EM7 7W 90mins Emergency battery backup	6ft Long Aircraft Cable, Set (2 pcs)
EM12 12W 90mins Emergency battery backup	BFPHC24 Hanging Kit for BFP2x2, 2x4 Backlit Panel
EM20 20W 90mins Emergency battery backup	6ft Long Aircraft Cable, Set (2 pcs)

SURFACE MOUNT

ITEM NUMBER	DIMENSIONS
SHFPELP1x4	48.0"L x 11.92"W x 2.5"H
SHFPELP2x2	24.0"L x 24.0"W x 2.5"H
SHFPELP2x4	48.0"L x 24.0"W x 2.5"H



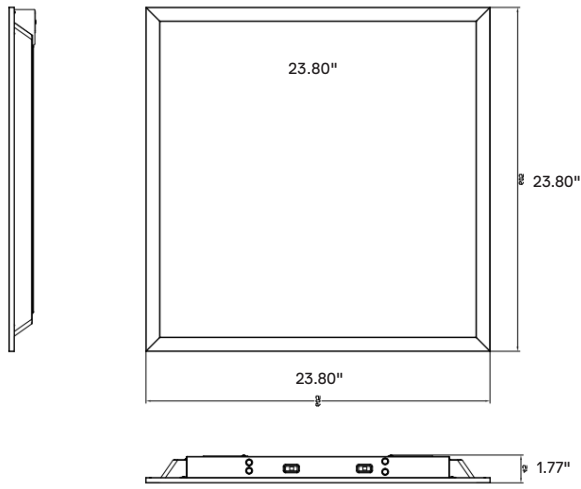
Shroud for Surface Mount

PERFORMANCE DATA

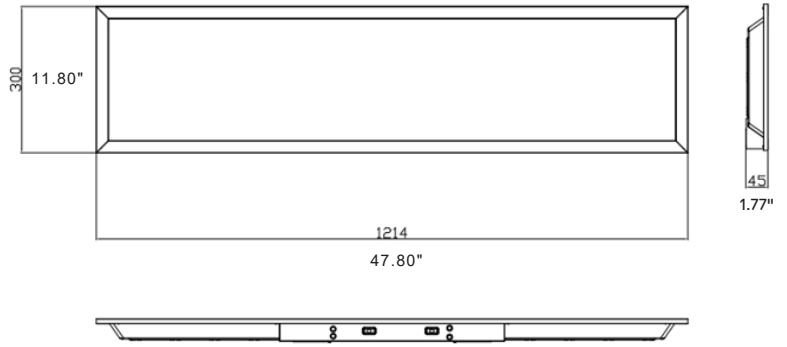
	SETTING	3500K			4000K			5000K		
		WATTAGE (W)	DELIVERED LUMENS	EFFICACY (lm/W)	WATTAGE (W)	DELIVERED LUMENS	EFFICACY (lm/W)	WATTAGE (W)	DELIVERED LUMENS	EFFICACY (lm/W)
1x4	LOW	20.00	2400.00	120.00	20.00	2400.00	120.00	20.00	2400.00	120.00
	MED	30.00	3400.00	113.33	30.00	3400.00	113.33	30.00	3400.00	113.33
	HIGH	40.00	4400.00	110.00	40.00	4400.00	110.00	40.00	4400.00	110.00
2x2	LOW	20.00	2400.00	120.00	20.00	2400.00	120.00	20.00	2400.00	120.00
	MED	30.00	3400.00	113.33	30.00	3400.00	113.33	30.00	3400.00	113.33
	HIGH	40.00	4400.00	110.00	40.00	4400.00	110.00	40.00	4400.00	110.00
2x4	LOW	30.00	3600.00	120.00	30.00	3600.00	120.00	30.00	3600.00	120.00
	MED	40.00	4600.00	115.00	40.00	4600.00	115.00	40.00	4600.00	115.00
	HIGH	50.00	5500.00	110.00	50.00	5500.00	110.00	50.00	5500.00	110.00

+/- 10% tolerance for data

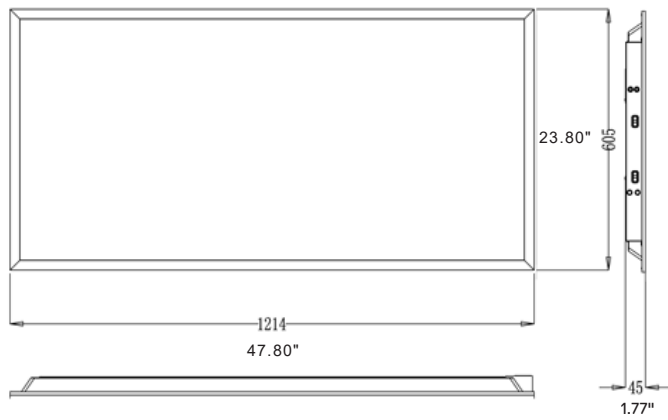
2x2



1x4



2x4



DLC LISTED

ITEM NUMBER

- BFP22L30M3300MDMVMCT
- BFP14L30M3300MDMVMCT
- BFP24L40M4400MDMVMCT

